

Technical data sheet



Product features

Bain marie electric GN 2/1 - 200 with cabinet

Model	SAP Code	00018726
--------------	-----------------	----------



- Water inlet: automatic valve operated by button
- Drain type: On the front panel
- Safety drain: Yes
- Material: AISI 304 top plate, AISI 430 cladding
- Protection of controls: IPX4
- Maximum device temperature [°C]: 90

SAP Code	00018726	Power electric [kW]	3.200
Net Width [mm]	800	Loading	230 V / 1N - 50 Hz
Net Depth [mm]	700	Number of GN / EN	1
Net Height [mm]	900	GN / EN size in device	GN 2/1
Net Weight [kg]	40.00	GN device depth	200

Technical data sheet



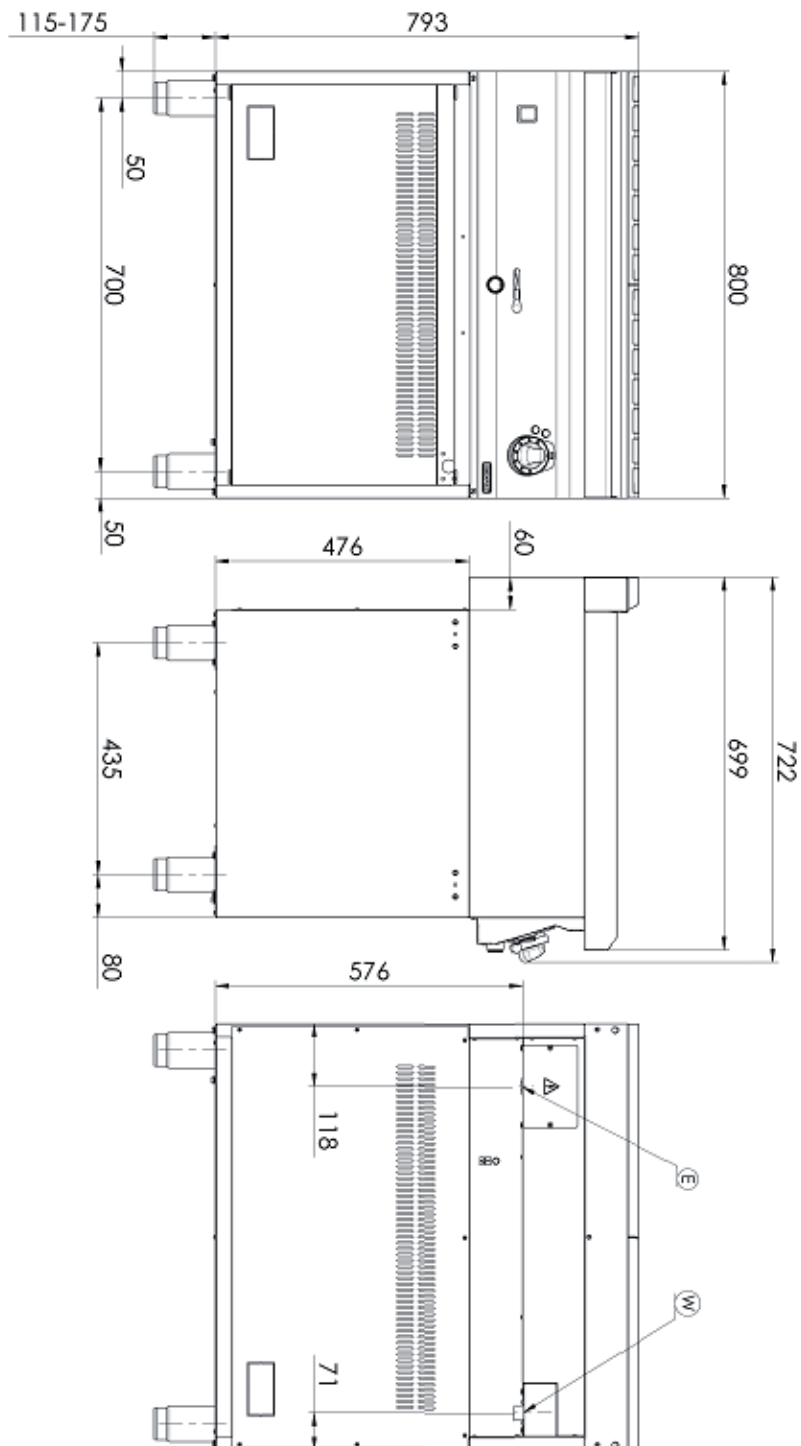
Technical drawing

Bain marie electric GN 2/1 - 200 with cabinet

Model

SAP Code

00018726



Technical data sheet



Technical parameters

Bain marie electric GN 2/1 - 200 with cabinet

Model

SAP Code

00018726

1. SAP Code:

00018726

2. Net Width [mm]:

800

3. Net Depth [mm]:

700

4. Net Height [mm]:

900

5. Net Weight [kg]:

40.00

6. Gross Width [mm]:

860

7. Gross depth [mm]:

820

8. Gross Height [mm]:

1080

9. Gross Weight [kg]:

54.00

10. Device type:

Electric unit

11. Construction type of device:

With substructure

12. Power electric [kW]:

3.200

13. Loading:

230 V / 1N - 50 Hz

14. Protection of controls:

IPX4

15. Material:

AISI 304 top plate, AISI 430 cladding

16. Indicators:

operation and warm-up

17. Worktop type:

Molded - comfortable cleaning maintenance

18. Worktop material:

AISI 304

19. Worktop Thickness [mm]:

1.20

20. Maximum device temperature [°C]:

90

21. Minimum device temperature [°C]:

30

22. Safety element:

safety element – thermocouple
outlet safety fuse

23. Adjustable feet:

Yes

24. Number of basins:

1

25. Basin material:

AISI 304 - High quality stainless steel

26. Water inlet:

automatic valve operated by button

27. Drain type:

On the front panel

28. Safety drain:

Yes

Technical data sheet



Technical parameters

Bain marie electric GN 2/1 - 200 with cabinet

Model

SAP Code

00018726

29. Number of GN / EN:

1

31. GN device depth:

200

30. GN / EN size in device:

GN 2/1